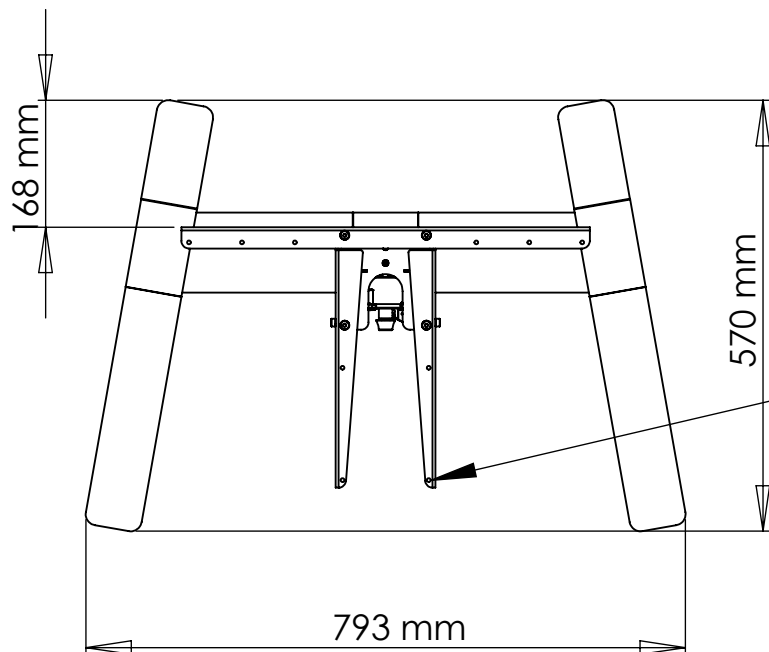
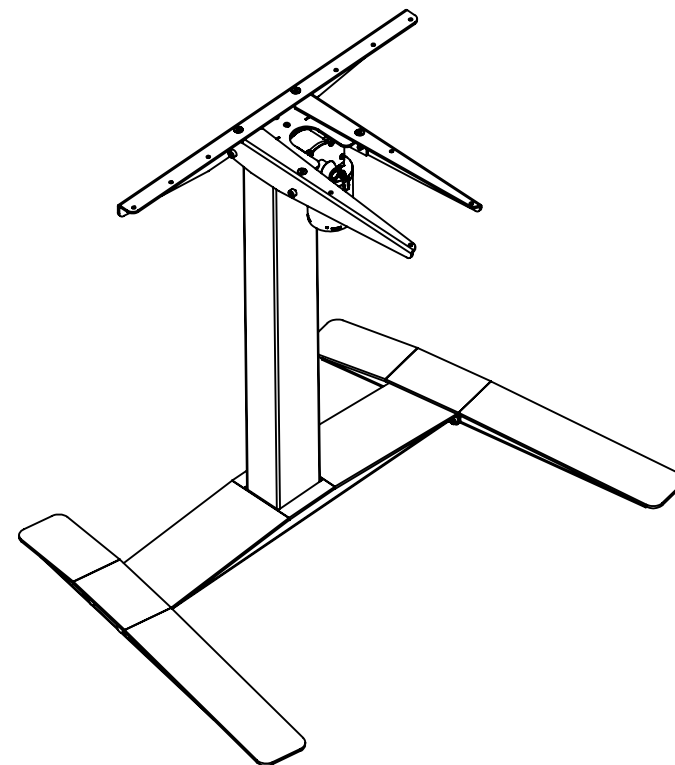
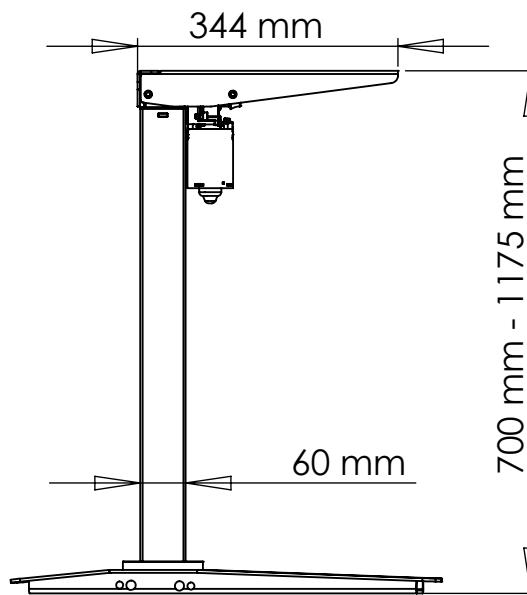
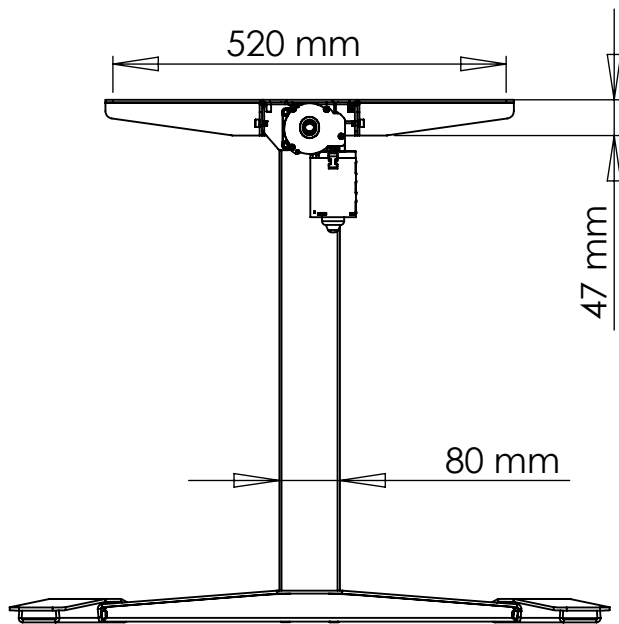


| | | | | |
|---|-----------------------|------|------------|--|
| DO NOT SCALE DRAWING SHEET 1 OF 2 | WEIGHT: | | | ConSet A/S Industrivej 23 DK-6900 Skjern Denmark www.conset.com |
| | | NAME | | |
| UNLESS OTHERWISE SPECIFIED: DIMENSIONS ARE IN MILLIMETERS TOLERANCES: LINEAR: According to ANGULAR: DIN 7168-m | DRAWN | KDJ | 23-05-2023 | TITLE: |
| | CHECKED | | | 501-9 7WW01 |
| PROPRIETARY AND CONFIDENTIAL THE INFORMATION CONTAINED IN THIS DRAWING IS THE SOLE PROPERTY OF CONSET A/S. ANY REPRODUCTION IN PART OR AS A WHOLE WITHOUT THE WRITTEN PERMISSION OF CONSET A/S IS PROHIBITED. | Processes: Dimensions | | | DWG NO. |
| | Remarks: | | | 159030 |



Same hole placement as 501-9 7WW01, see sheet 1

| | | | |
|---|------------|-----------------------|--|
| DO NOT SCALE DRAWING SHEET 2 OF 2 | WEIGHT: | | ConSet A/S <small>Industrivej 23 DK-6900 Skjern Denmark www.conset.com</small> |
| | 19651.52 | | |
| UNLESS OTHERWISE SPECIFIED: DIMENSIONS ARE IN MILLIMETERS TOLERANCES: LINEAR: According to ANGULAR: DIN 7168-m | NAME | DATE | TITLE: |
| | DRAWN: KDJ | 23-05-2023 | 501-9 7W080 |
| PROPRIETARY AND CONFIDENTIAL THE INFORMATION CONTAINED IN THIS DRAWING IS THE SOLE PROPERTY OF CONSET A/S. ANY REPRODUCTION IN PART OR AS A WHOLE WITHOUT THE WRITTEN PERMISSION OF CONSET A/S IS PROHIBITED. | CHECKED: | Processes: Dimensions | |
| | Remarks: | DWG NO. 159030 | REVISION 0 |